



## Single input BRIDGE

### Hardware features

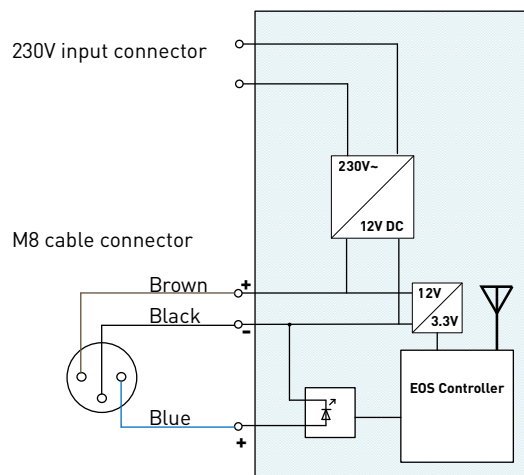
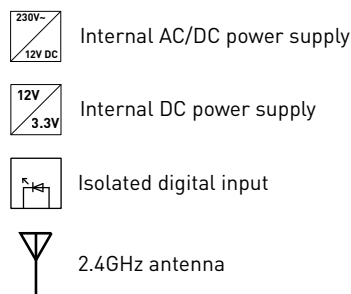
Dimensions	160 x 90 x 50 mm
Supply voltage	100 - 240 VAC
IP rating	IP66
Colour	RAL7035
Operating temperature	-30 °C -to 60 °C
Sensor connection	3-wire (12 V/200 mA + digital input)
Mounting option	Surface
EOS <sup>2</sup> Technology	Integrated
Antenna (2.4 GHz)	Internal
Power consumption	1 W
Digital input	1

### Benefits

- + Integrate any digital signal provider in your EOS network.  
This can range from a standard PIR sensor, photo sensor or beam detector, to a complete security system.
- + Easy installation: attach the sensor using the provided 3-wire cable and plug in power.
- + 12 VDC auxiliary available to power sensor.
- + Integrated antenna. Advised maximum distance from EOS network: 30 meter.
- + Easy configuration using the EOS Manager app:
  - Inform one or more EOS devices about the digital input event.



### Internal basic circuit diagram



### Ordering information

Article number	Nomenclature
16891	EOS <sup>2</sup> -Bridge-Single Input