



Multiple IO BRIDGE

Hardware features

| | |
|-----------------------------|----------------------------|
| Dimensions | 4 DIN |
| Supply voltage | 18 – 24 VDC |
| IP rating | IP20 |
| Operating temperature | -30 °C -to 60 °C |
| Mounting option | DIN |
| EOS ² Technology | Integrated |
| Internal antenna (2.4 GHz) | Integrated |
| External antenna (2.4 GHz) | Optional, RP-SMA connector |
| LED Status Indicator | Yes |
| Power consumption | 1 W |
| Analog 1-10V isolated input | 1 |
| Digital input amount | 2 |
| Digital output amount | 2 |
| RS422/485 | 1 |

Benefits

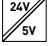
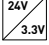


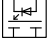
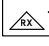
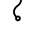

- + Flexible integration of your own control and analysis system into an EOS network:
 - Integrate your own digital sensor.
 - Integrate your own analog 1-10V controller.
 - Be informed on EOS devices in the network that need maintenance.
 - Programmable switch output for external relay toggling.
- + Easy installation. Standard DIN rail housing.
- + Integrated antenna. Advised maximum distance from EOS network: 30 meter.
- + Easy configuration using the EOS Manager app:
 - Intuitive integration of your system in the EOS network.



Ordering information

| Article number | Nomenclature |
|----------------|--------------------------------------|
| 16892 | EOS ² -Bridge-Multiple IO |

Internal Basic Circuit diagram

-  Isolated internal power supply
-  Internal power supply
-  Isolated analog 0-10V input
-  Isolated digital input
-  Isolated digital output
-  RS422/RS485
-  Fuse 300mA
-  Antenna 2.4GHz

